

1. Table of Contents (This Page)

Created on Sat Dec 31 13:15:10 2011

2. component

3. solder

4. plated-drill

5. componentmask

6. soldermask

7. topsilk

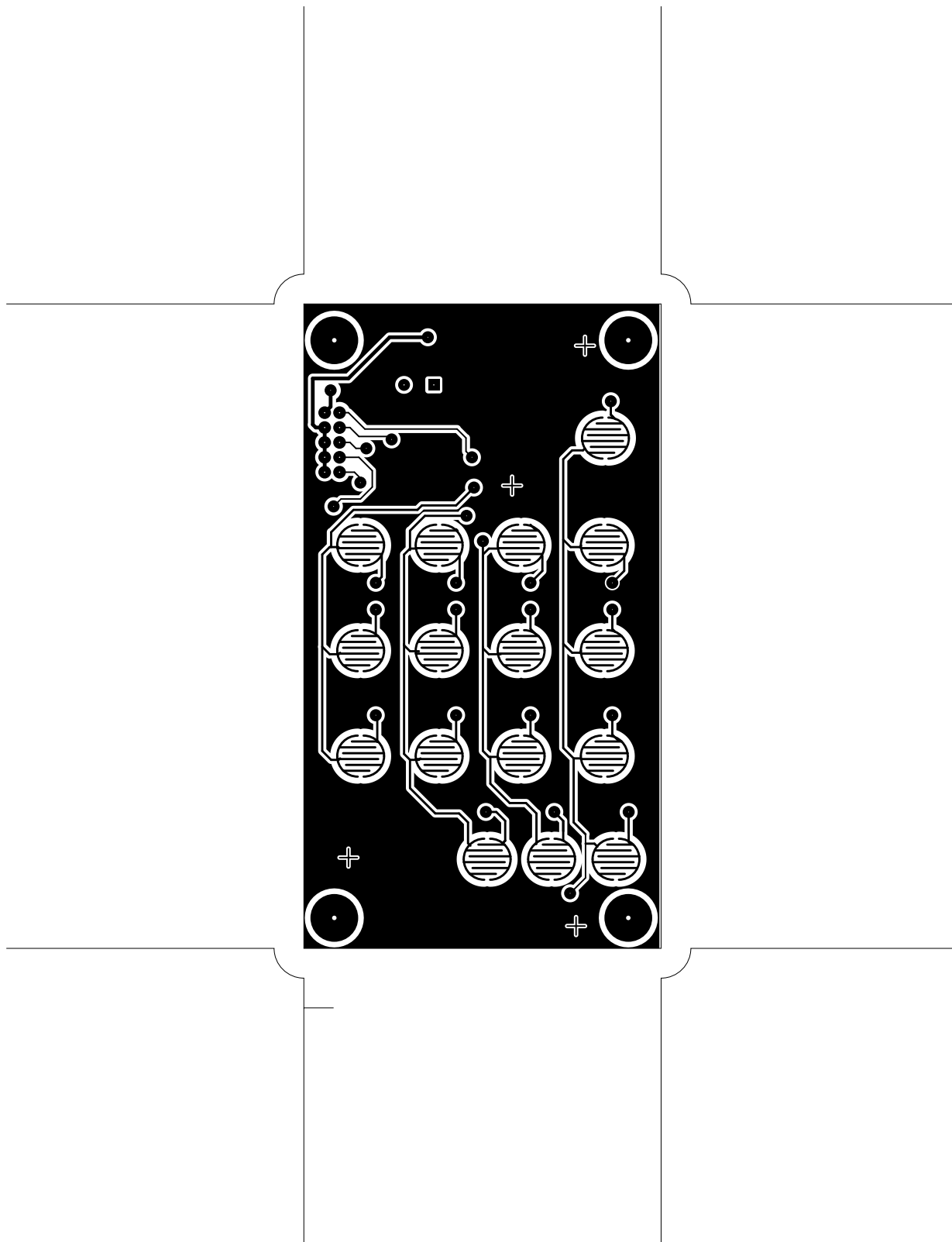
8. bottomsilk

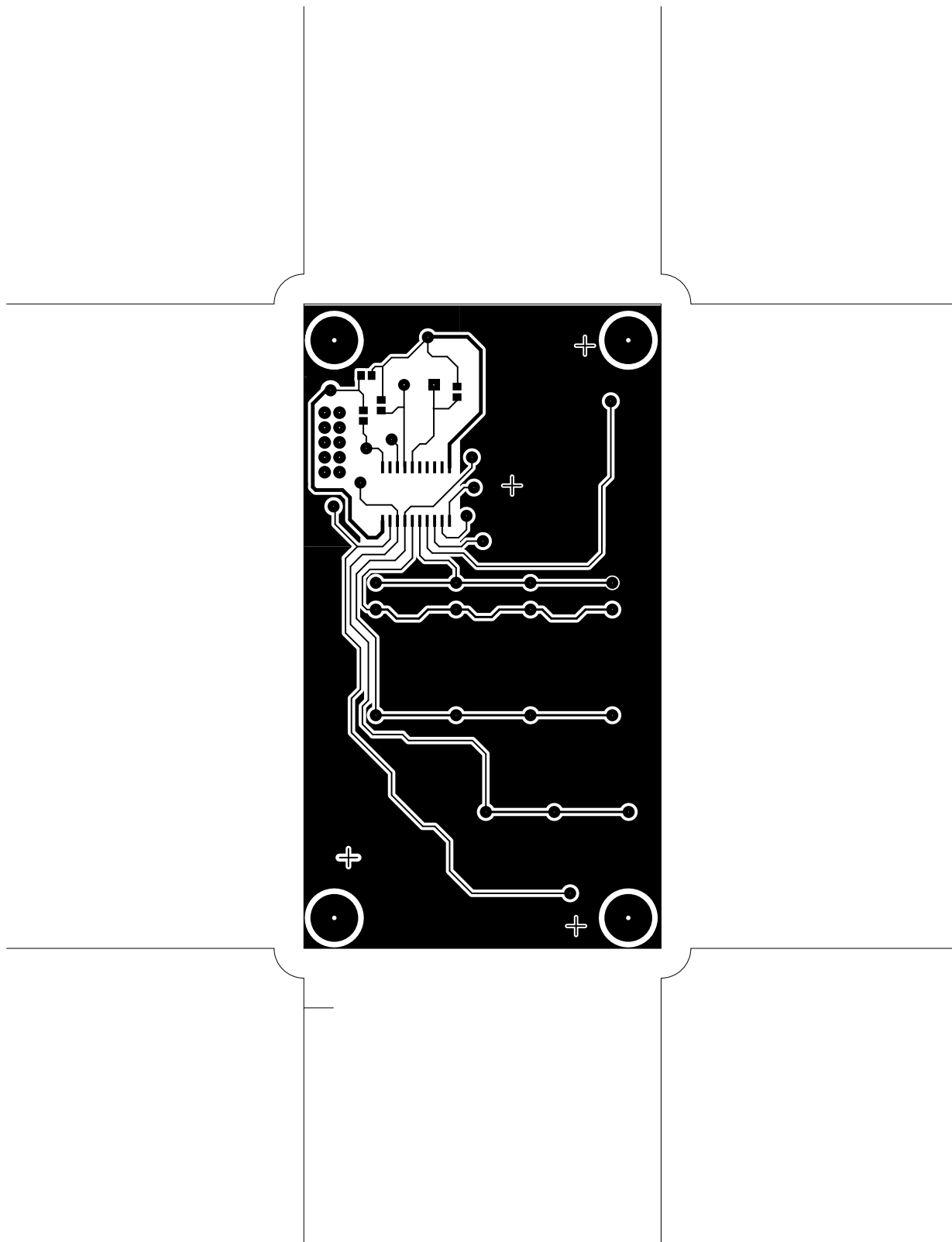
9. bottompaste

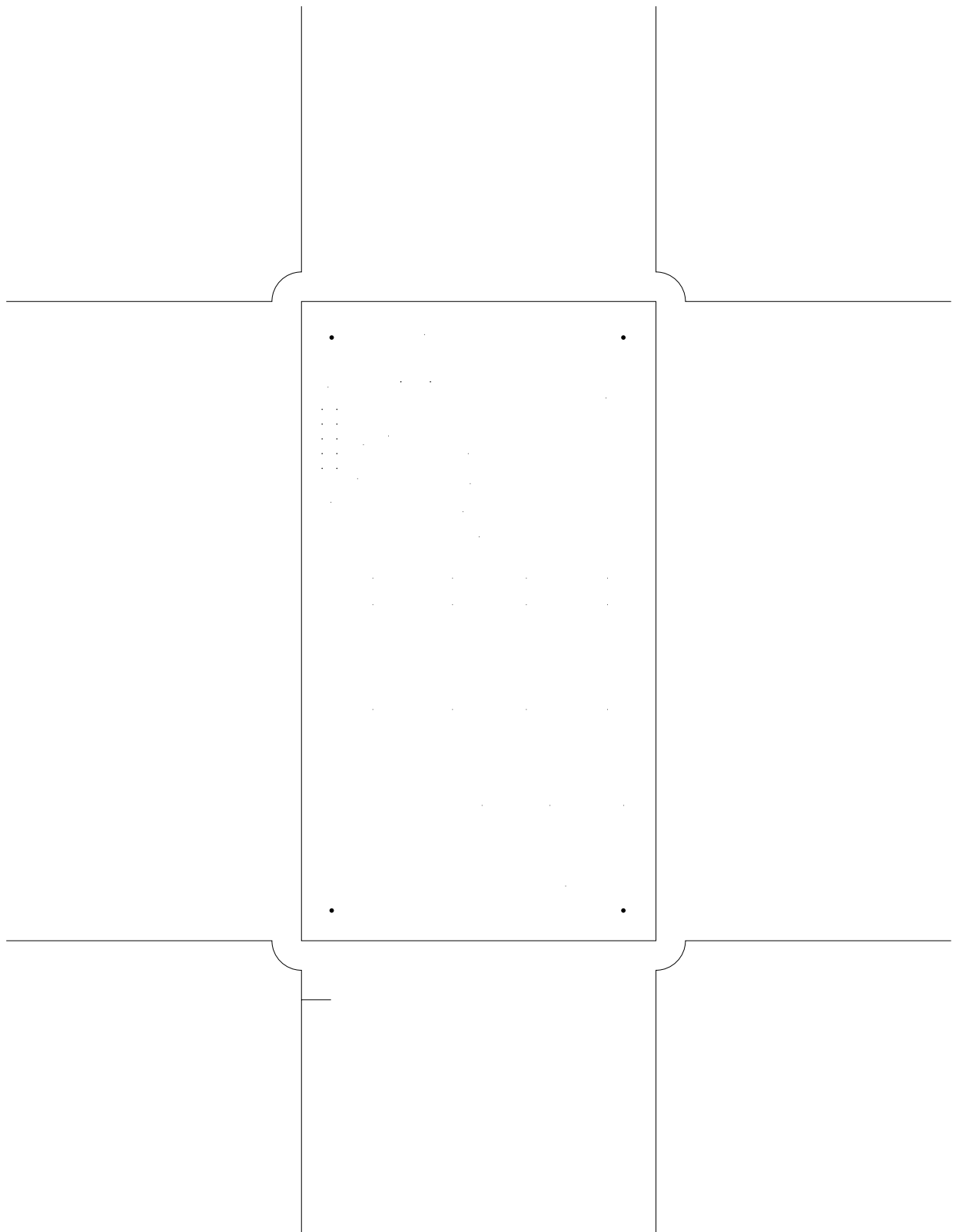
10. topassembly

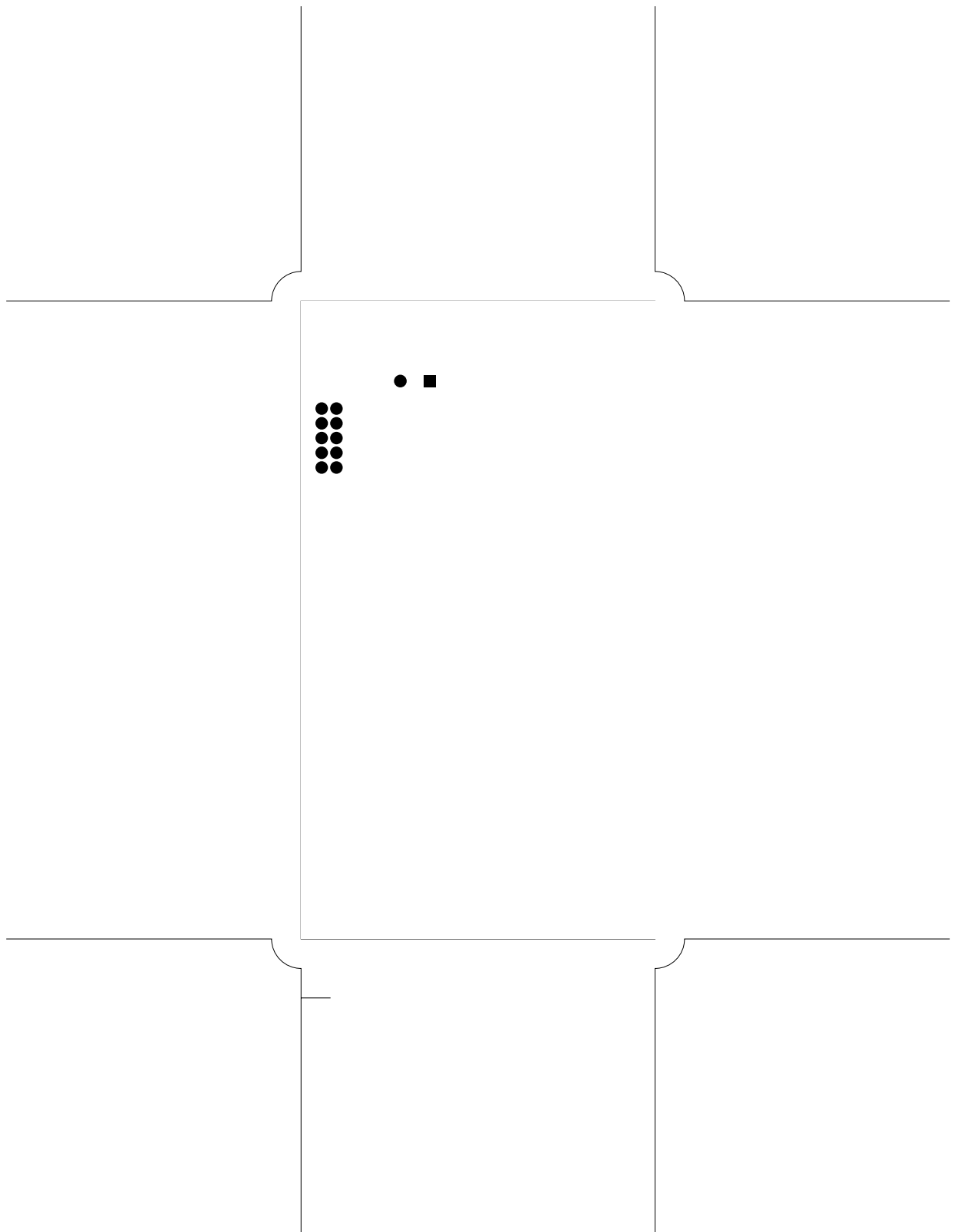
11. bottomassembly

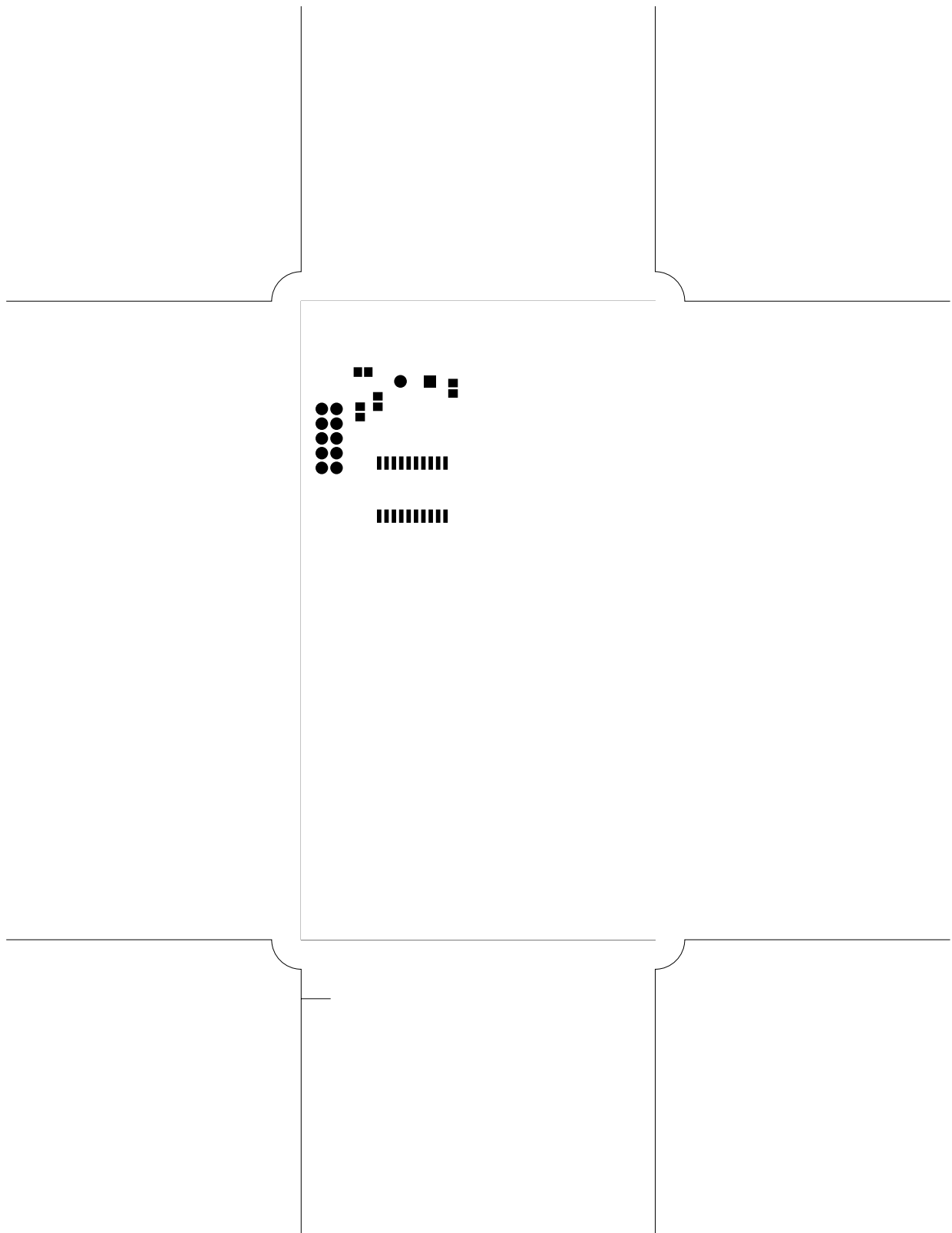
12. fab

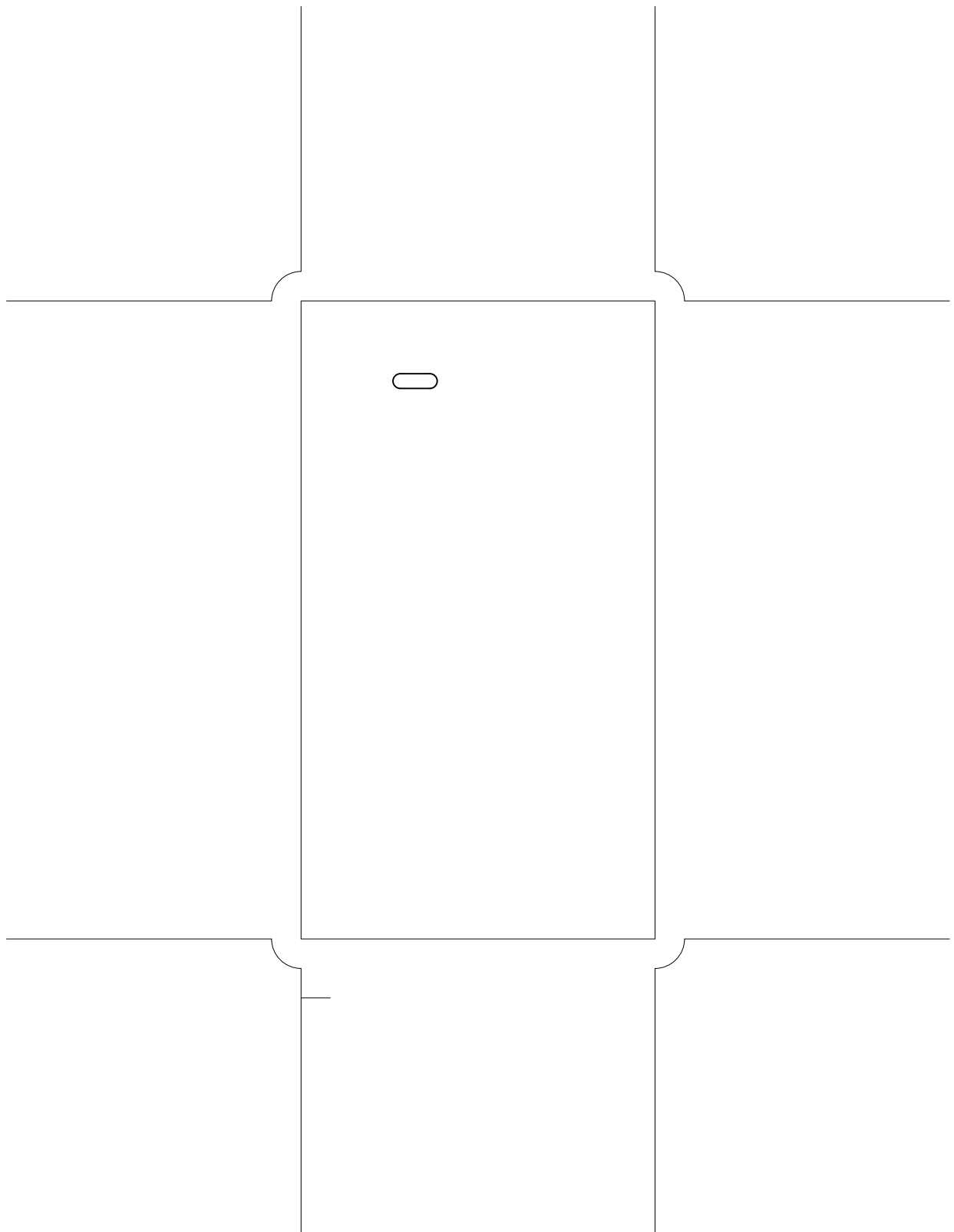


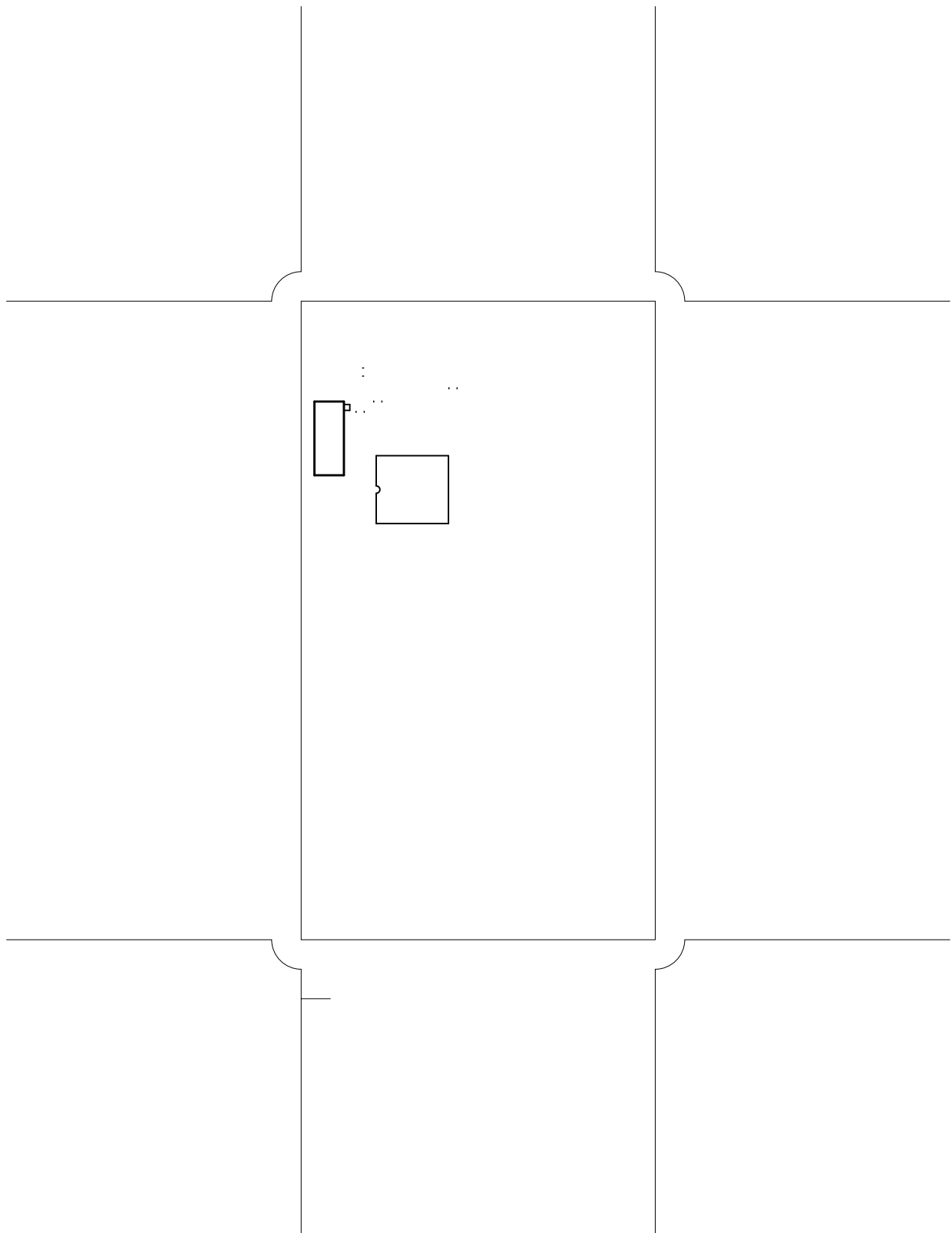


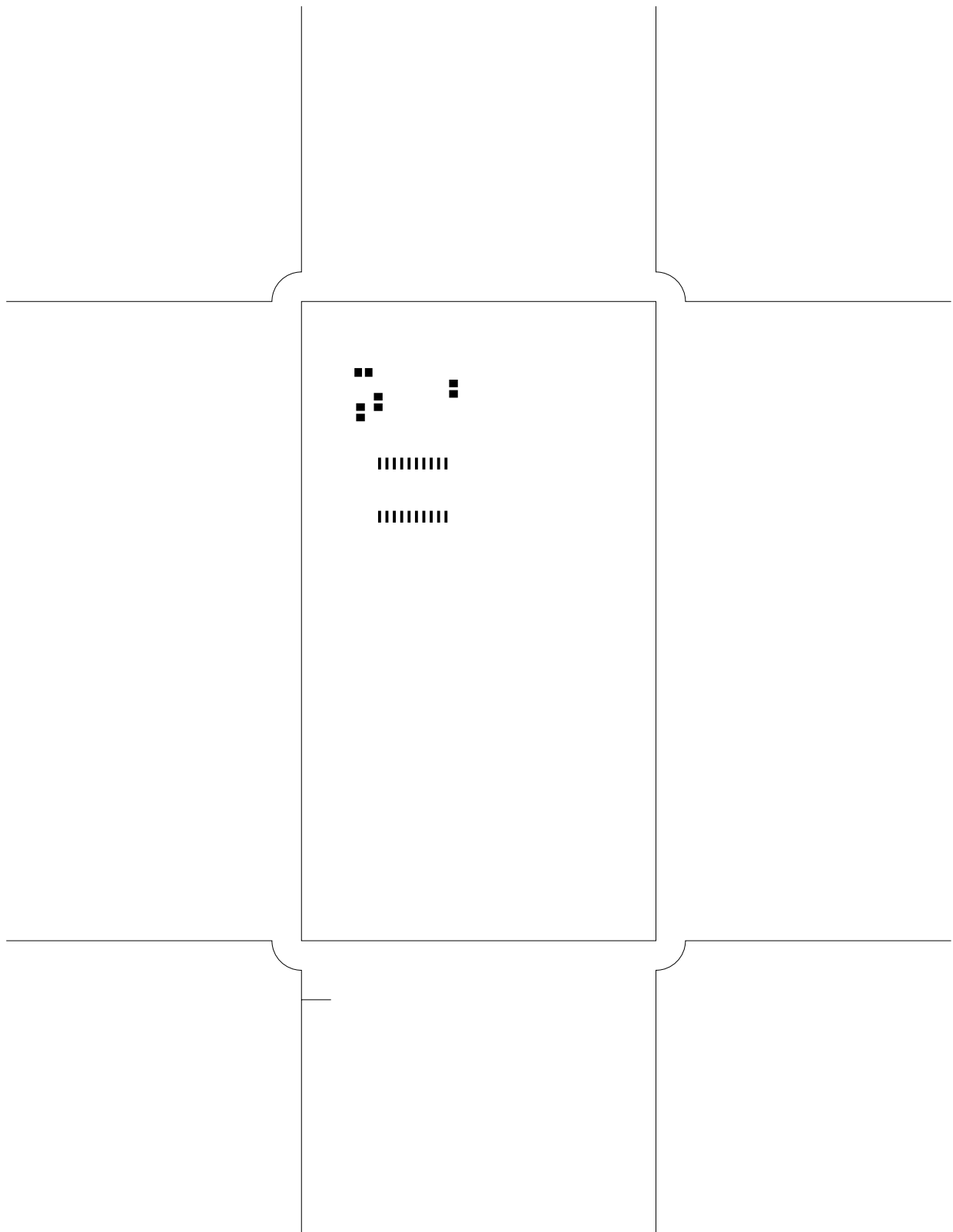


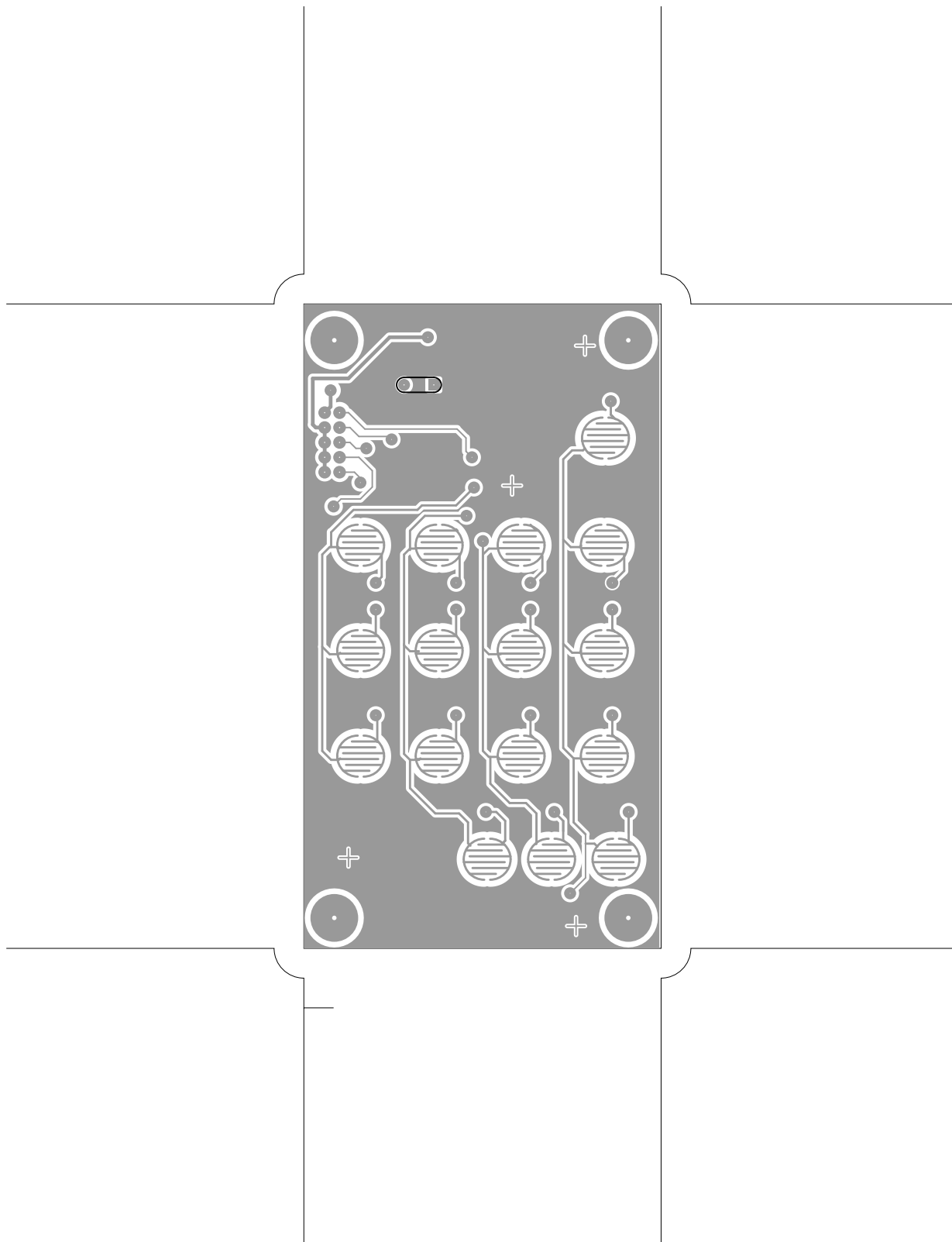


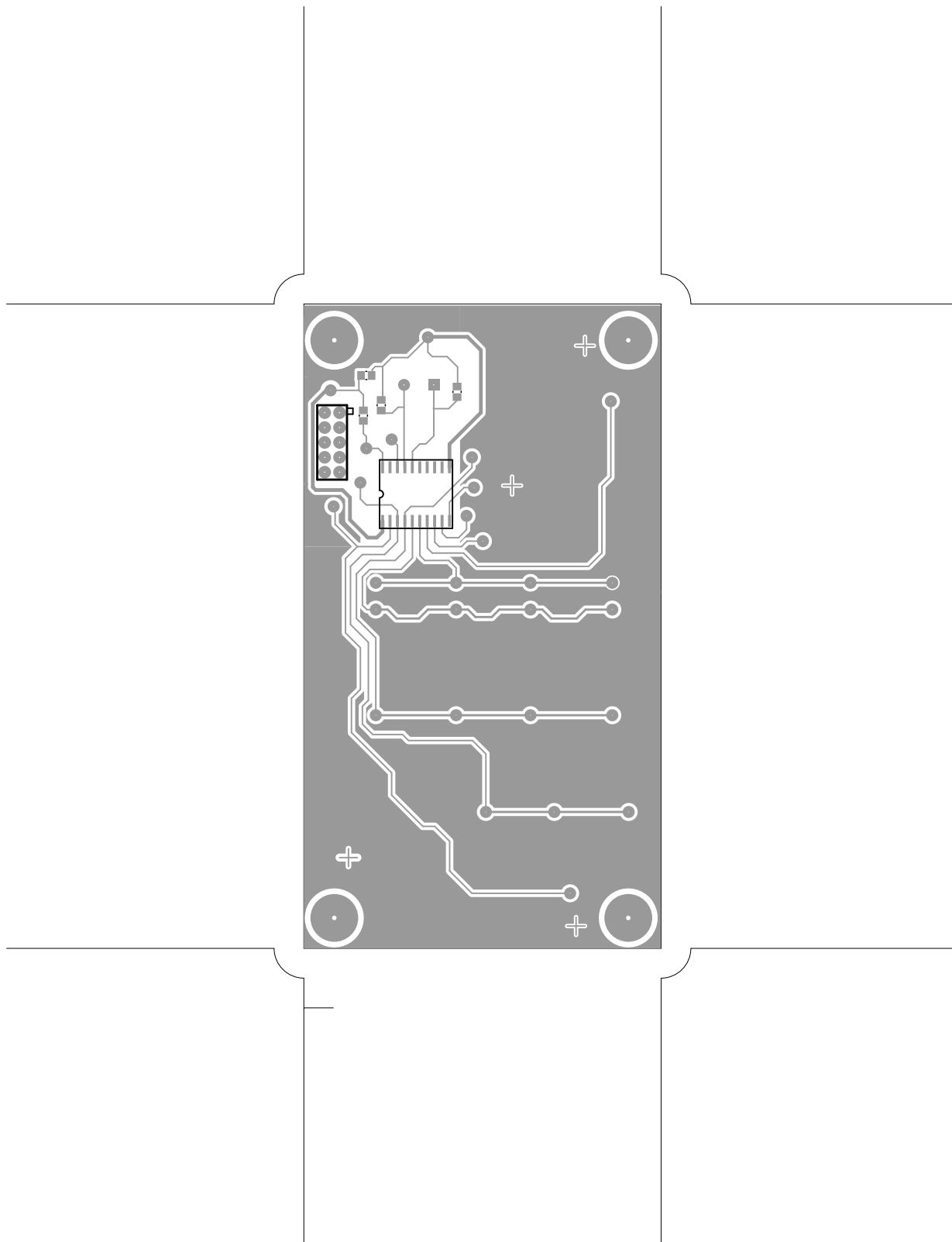






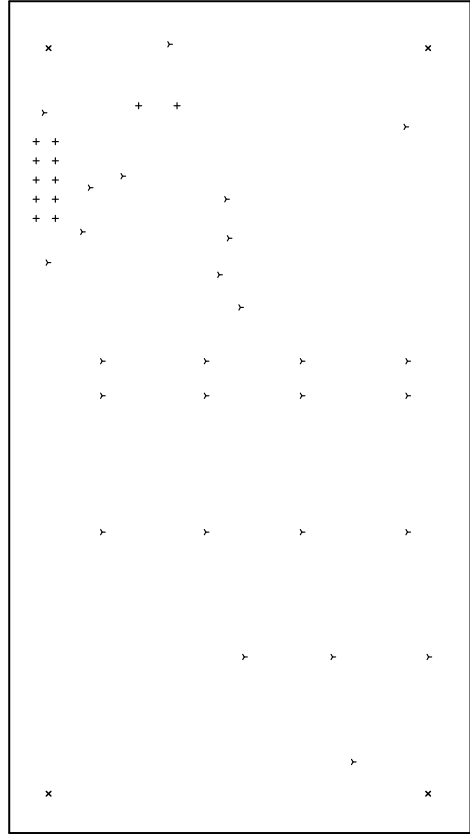






There are 3 different drill sizes used in this layout, 43 holes total.

Symbol	Diam. (Inch)	Count	Plated?	Title (unknown) - Fabrication Drawing
y	<u>0.005</u>	<u>27</u>	<u>YES</u>	Author: Micha [redacted] Wilhelm Jany
+	<u>0.008</u>	<u>12</u>	<u>YES</u>	Date: sob, 31 gru 2011, 12:15:10 UTC
x	<u>0.030</u>	<u>4</u>	<u>YES</u>	Maximum Dimensions: 4390 mils wide, 2401 mils high



Board outline is the centerline of this 10 mil rectangle - 0.0 to 4390.2401 mils